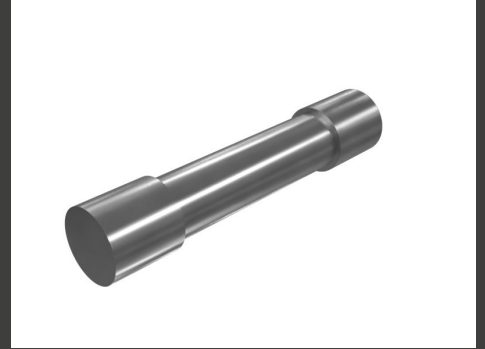
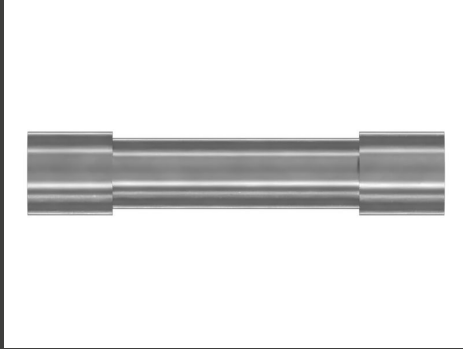
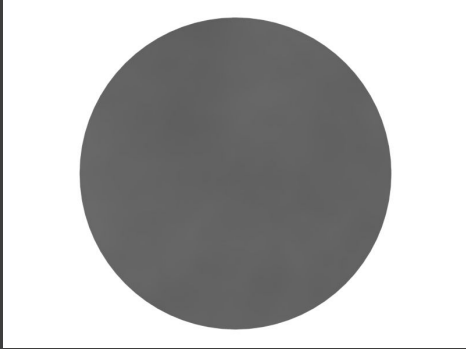


CATERPILLAR FUSE 2S6024 NEW

Product Images



□□□□□

Description:

Cat fuses provide protection for electrical components in Cat machines.

Attributes:

- Glass tube with nickel plated end caps
- Cartridge style
- Voltage Rating: 250 V
- Current Rating: 5 A
- RoHS compliant

Application:

Consult your owner's manual or contact your local Cat Dealer for more information.

Additional Information

□□□□□	CATERPILLAR
□□□□	□□□□
□□□□□) □□□□□□ □□□□□□□□)	

Name	Models
EARTHMOVING COMPACTOR	815 816 825 825B 825C 826B 826C
GENERATOR	SR4 SR4B SR4BHV
WHEEL-TYPE LOADER	910 920 930 950 966C 966D 966E 966F 966F II 980B 980C 988 988B 992 992B 992C G910
RETROFIT AFTERTREATMENT	SCR
PETROLEUM PRODUCTS	CX31-C11I CX31-C13I CX31-P600 TH35- C11I TH35-C13I
ENGINE - TRUCK	3208
ENGINE - GENERATOR SET	3508 3512 3516 3606 3608 3612 3616 G3406 G3412 G3516 G3520C G3520E PM3508 PM3512 PM3516 PMG3516 SR4
WHEEL-TYPE SKIDDER	518 518C 528 528B 530B FB518
OFF-HIGHWAY TRUCK	768B 768C 769 769B 769C 772 772B 773 773B 776 777
ENGINE - MACHINE	3306
TRACK-TYPE LOADER	931 931B 931C 931C II 933 935B 935C 935C II 939 941 941B 943 951 951B 951C 953 955 955K 955L 963 973 977L 977 983B
ENGINE - INDUSTRIAL	3306 3126B 3406 3408 3408B 3412 3412C 3508 3512 3512B 3516 3508B 3516B 3516C C11 C13 C15 C18 C27 C7 D333C G3306 G3406 G3408 G3408B G3412 G3516B G3516 G3520C G3606 G3606B G3608 G3612 G3616
COLD PLANER	PR-450 PR-450C PR-750B
FOREST PRODUCTS	227
MOTOR GRADER	120G 12G 130G 140G 14G 160G 16G
MATERIAL HANDLER	C7
PAVING COMPACTOR	CB-434 CB-534D CB-564D CP-433B CP-553 CS-433B CS-551 CS-553
WHEEL DOZER	814 824B 824C 824S 834
BACKHOE LOADER	424B 424B HD 428B 438B
INTEGRATED TOOLCARRIER	IT12
PIPELAYER	561D 571G 572G 583K 594H

Name	Models
EXCAVATOR	215 215B 215C 215D 219 219D 225 225B 225D 229 229D 231D 235 235B 235C 235D 245 245B 245D
MARINE PRODUCTS	3608 3612 3616 3618 C280-12 C280-6 C280-16 C280-8
WHEEL TRACTOR-SCRAPER	613B 621B 621R 623B 627B 631D 633D 637D 639D 641B 650B 651B 657 657B 660B 666B
TRACK-TYPE TRACTOR	10 10C 10S 10U 140 141 143 153 163 3 4 4A 4S 5 53 55 58 59 5A 5S 6 6A 6S 8 8A 8S 8U 9 9C 9S 9U D10 D3 D4D D4E D4E SR D5B D5E D6D D6D SR D6E D6E SR D6F SR D6G D6G SR D7G D8H D8K D8L D9G D9H D9L