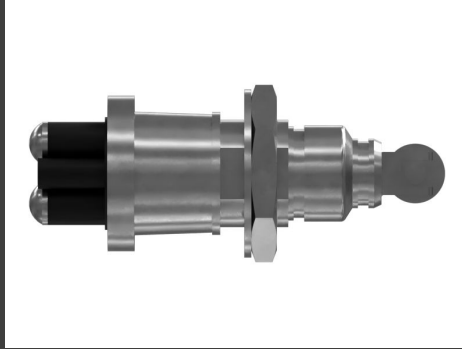
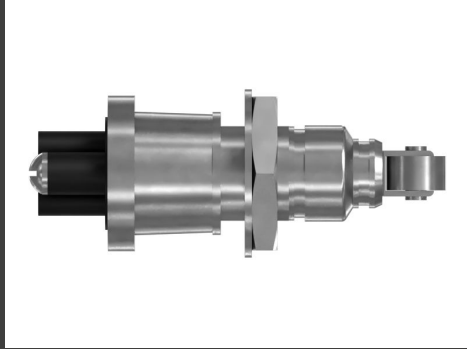


CATERPILLAR SWITCH A 1296466 NEW

Product Images



Beschreibung

Description:

Cat limit switch assemblies are used to monitor mechanical parts and indicate whether the movement limits have been exceeded, thereby connecting or breaking an electrical connection. Designed to work in unison with the rest of your Cat components to ensure maximum potential of your equipment.

Attributes:

- Sealed roller switch with screw terminals
- Single pole single throw (SPST)
- Contact Position: Normally open
- Connector Type: 2-screw terminal
- Thread Size: 3/4-32
- Voltage: 10-24 VDC
- Single position (On-Momentary)
- Stainless steel roller pin and plunger shaft
- Heavy duty construction
- High precision for consistent performance
- Designed to work in unison with the rest of your Cat components to ensure maximum potential of your equipment

Application:

Consult your owner's manual or contact your local Cat Dealer for more information. Cat components can operate in heavy-duty applications such as severe vibration, shock, extreme operating temperature ranges, thermal cycle, thermal shock, humidity, corrosion and excessive dust.

Additional Information

Marke	CATERPILLAR	
Kondition	ORIGINAL	
Anwendungen geeignet (detailliert)	Name	Models
	MOTOR GRADER	14G 120G 12G 140G 160G 16G
	CHALLENGER	65C 65D 65E 75 75C 75D 75E 85E 95E
	WHEELED EXCAVATOR	M330D W345C MH
	MATERIAL HANDLER	MH3049 MH3059
	WHEEL-TYPE SKIDDER	518C 528B 530B
	BACKHOE LOADER	446B 446D 450E 450F
	EXCAVATOR	231D 311D LRR 312B 312B L 312C 312C L 312D 312D L 315B L 315C 315D L 317B L 317B LN 318B 318B N 318C 319D L 319D LN 320B 320B L 320B N 320B S 320C 320C FM 320D 320C L 320D L 320D LN 320D LRR 320D RR 320D2 320D2 GC 320D2 L 322B L 322B LN 322C 323D L 323D LN 323D S 323D2 L 324D 324D L 324D LN 325B L 325B LN 325C 325C L 325D 325D L 325D MH 326D2 L 329D 329D L 329D2 329D2 L 330B L 330C L 330B LN 330C MH 330D 330D L 330D LN 330D MH 336D 336D L 336D2 336D2 L 336D2 L XE 336D2 LXE 336D2 XE 345B 345B II 345B L 345C 345C L 345C MH 345D 345D L 349D 349D L 349D2 349D2 L 350-A 350 L 350-A L 365B 365B II 365B L 365C 365C L 365C L MH 375-A 375-A L 385B 385C 385C FS 385C L 385C L MH 5080 5090B M325D L MH M325D MH
	TRACK-TYPE LOADER	963 963B 973
	ARTICULATED DUMP TRUCK	D350E D400E
	TRACK-TYPE TRACTOR	D4E D4E SR D5E D6E SR