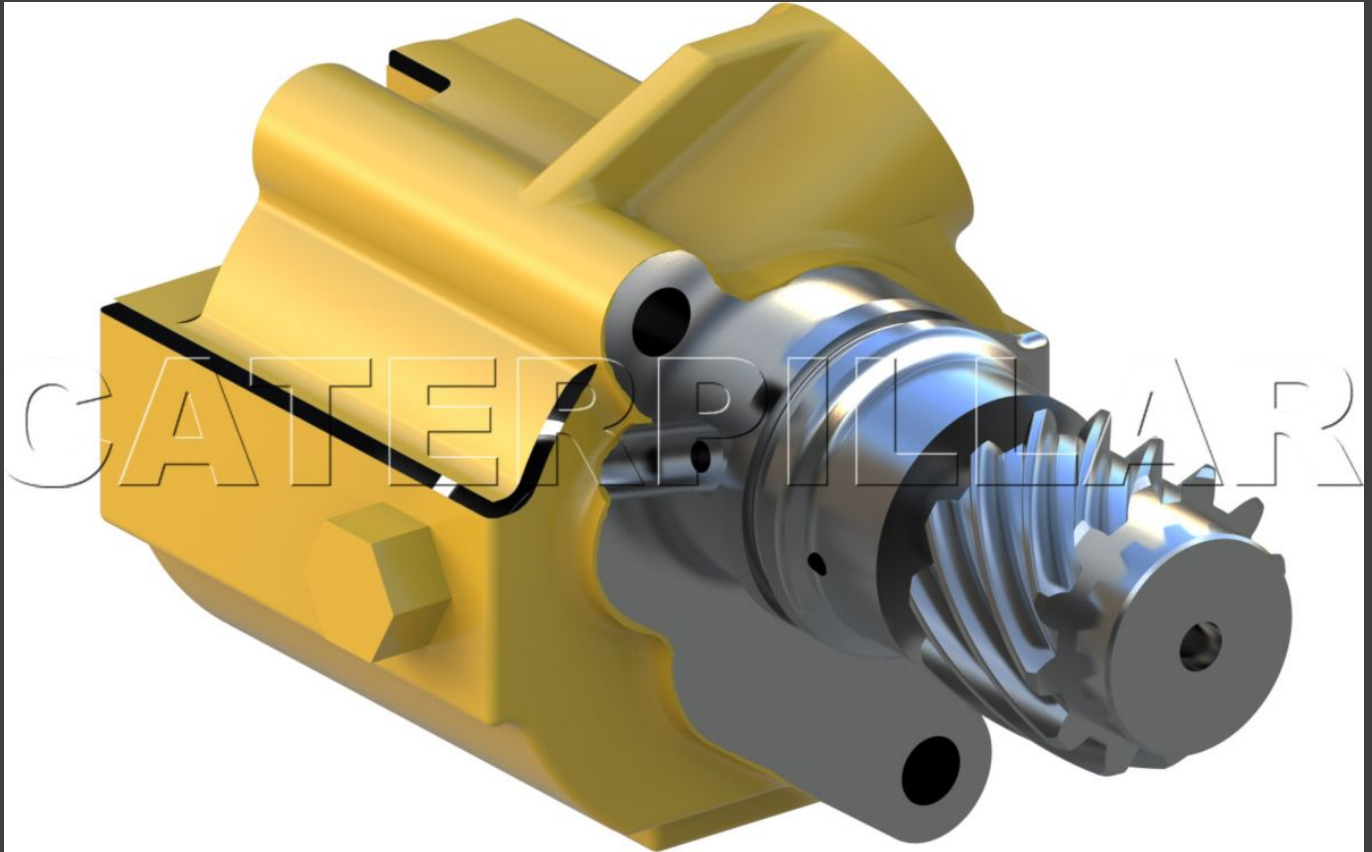


CATERPILLAR FUEL LIFT PUMP 1530488 NEW

Product Images



Description

Description:

Cat lift pump assembly is the primary fuel pump to move the fuel from the tank into the engine fuel system. Designed to ensure the correct level of flow and pressure into the fuel system, correct flow rate and pressure are critical to prevent the issues of cavitation and vaporization that can lead to implosion and damage to surfaces.

Attributes:

.

Application:

Consult your owner's manual or contact your local Cat Dealer for more information.

Additional Information

Brand	CATERPILLAR	
Condition	ORIGINAL	
Applications suitable (detailed)	Name	Models
	WHEEL-TYPE LOADER	906
	SKID STEER LOADER	216 226 228 232 236 242 246 247 248 252 257 262 267 277 287
	ENGINE - INDUSTRIAL	3034
	MARINE PRODUCTS	3034