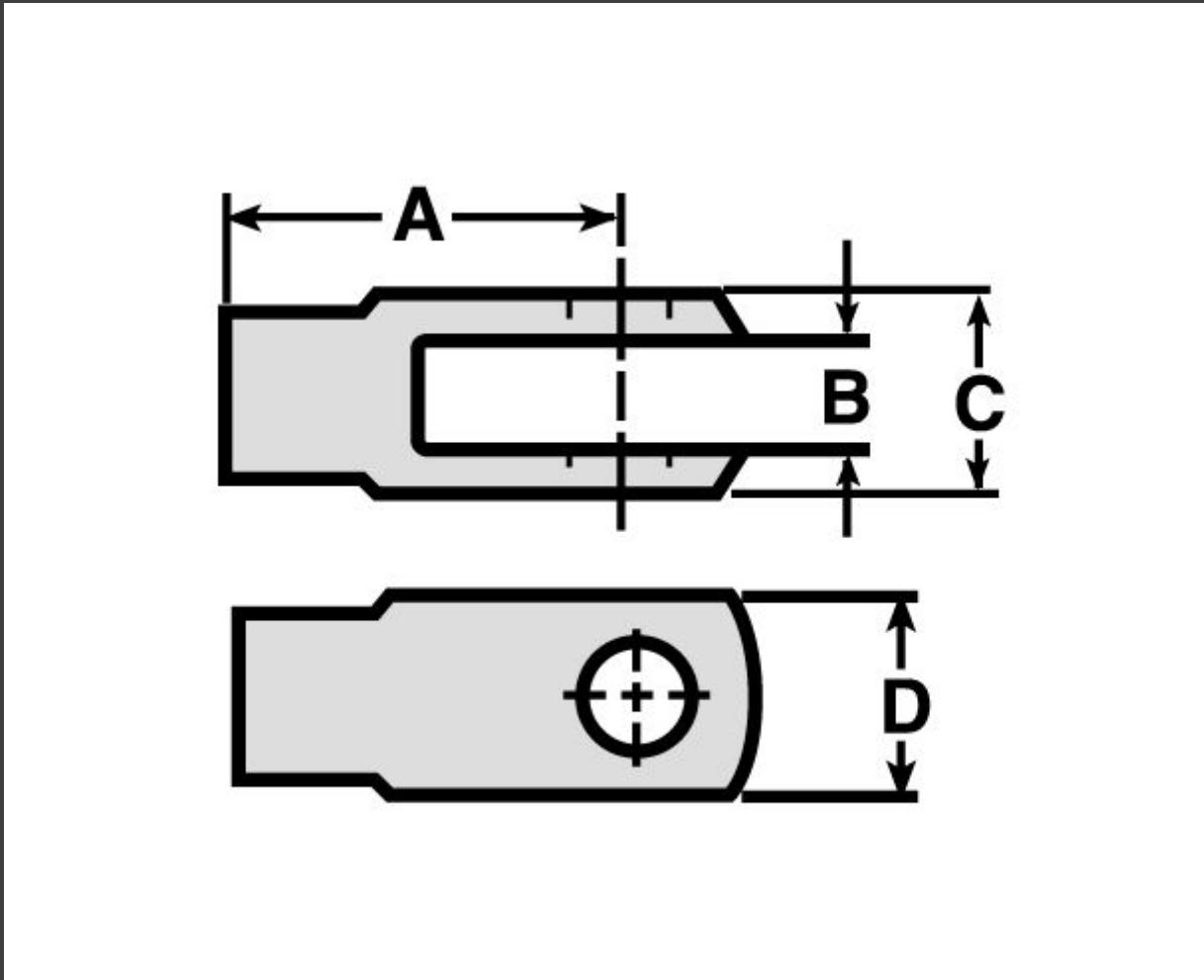


CATERPILLAR END 3D9609 NEW

Product Images



Description

Description:

rod ends are manufactured for long service life, minimal maintenance, and high operational reliability. Yoke type rod ends provides rotary motion. These type of rod ends are designed for transmission and hydraulic control linkage and rod assembly applications.

Attributes:

- Material: Steel
- Rod End Type: Yoke type
- Centerline to edge: 30.226 mm (1.19 in)

- External Yoke Width: 19.05 mm (0.75 in)
- Internal Yoke Width: 8.737 mm (0.344 in)
- Hole Diameter: 7.924 mm (0.312 in)
- Thread Size: 5/16-24
- Large load capacity
- Easy mounting and dismounting
- Suitable for heavy static or alternating loads, and shock loads

Application:

Consult your owner's manual or contact your local Cat Dealer for more information.

Additional Information

Brand	CATERPILLAR
Condition	ORIGINAL