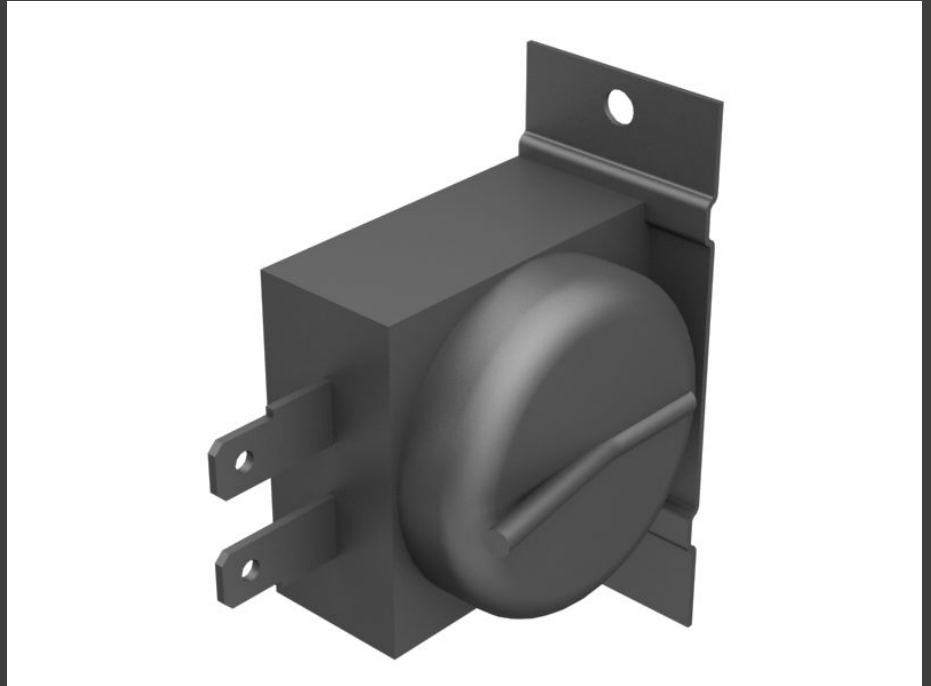


## CATERPILLAR SWITCH A 3E5464 NEW

### Product Images



### Description

Description: Cat components make certain that your equipment is operating at an optimal level. Cat thermostat switch assemblies are actuated when the temperature range exceeds the limits in Cat HVAC systems, and to shut off when desired temperature has been reached. Attributes: • Designed to work in unison with the rest of your Cat components to ensure maximum potential of your equipment. • Part No., change level, Date code on side of plug. • Vinyl plastic sleeve covered, tin plated, capillary tubing to be inserted in evaporator coil. • Locking copper terminal blades connector and quick connect terminals (gnd). • Single pole single throw. • 6/12/24 Volts. • Accurate temperature sensing. • Dustproof. • Two mounting holes. Application: Used in HVAC systems of Cat vehicles. Cat components can operate in heavy-duty applications such as severe vibration, shock, extreme operating temperature ranges, thermal cycle, thermal shock, humidity, corrosion and excessive dust.

## Additional Information

Brand	CATERPILLAR	
Condition	ORIGINAL	
Applications suitable (detailed)	Name	Models
	ENGINEER SUPPORT TRACTOR	30/30 DEUCE
	EARTHMOVING COMPACTOR	815F 815F II 816F 816F II 825G II 825G 825H 826G 826G II 826H 836G 836H
	CHALLENGER	65 65B 65C 65D 65E 70C 75 75C 75D 75E 85C 85D 85E 95E MTC735 MTC745 MTC755 MTC765
	WHEEL-TYPE LOADER	906 908 910E 910F 914G 914G2 916 918F 924F 924G 924GZ 924H 924HZ 926 926E 928F 928G 928H 928HZ 930G 930H 936 936E 936F 938F 938G 938G II 938H 950 GC 950F 950F II 950G 950G II 950H 950L 960F 962G 962G II 962H 962L 966 GC 966F 966F II 966G 966G II 966H 966L 970F 972G 972G II 972H 972L 980F 980F II 980G 980G II 980H 980L 988G 988H 990 990 II 990H 992G 992K 993K 994F G916 G926 G936
	WHEEL-TYPE SKIDDER	515 525 525B 525C 535B 535C 545 545C
	OFF-HIGHWAY TRUCK	69D 768C 769C 769D 770 771C 771D 772 772B 773B 773D 773E 773GC 773F 775B 775D 775E 775F 776C 776D 777C 777D 777E 777F 784C 785 785B 785C 785D 789 789B 789C 789D 793C 793D 793F 793F AC 793F CMD 793F OEM 793F XQ 795F AC 795F XQ 797 797B 797F
	TRACK-TYPE LOADER	933 933C 939 939C 953C 953D 963C 963D 973C
	ARTICULATED DUMP TRUCK	725 725C 725C2 730 730C 730C2 EJ 730C2 735 735 OEM 735B 735C 740 740B 740C 745C D20D D250D D250E D250E II D25D D300D D300E D300E II D30D D350D D350E D350E II D400D D400E D400E II D40D
	TELEHANDLER	TH220B TH330B TH340B TH350B TH360B TH460B TH560B TH580B
	MINI HYDRAULIC EXCAVATOR	307-A

Name	Models
MOTOR GRADER	120H 120H ES 120H NA 120M 12H 12H ES 12H NA 12M 12M 3 AWD 135H 135H NA 140H 140H ES 140H NA 140M 143H 14H 14H NA 14M 160H 160H ES 160H NA 160M 163H 163H NA 16H 16H NA 16M 24H 24M
FOREST PRODUCTS	1090 1190 1190T 1290T 1390 2290 2390 2391 2491 2590 322C 511 521 521B 522 522B 532 533 538 541 541 2 543 548 551 552 552 2 558 HA770 HA771 HA870 HA871 TK370 TK371 TK380 TK381 TK711 TK721 TK722 TK732 TK741 TK751 TK752
WHEELED EXCAVATOR	M320
PAVING COMPACTOR	CCS7 CCS9 CP-433E CP-44 CP-44B CP-533D CP-533E CP-54 CP-54B CP-56 CP-563D CP-563E CP-56B CP-573E CP-64 CP-663E CP-68B CP-74 CP-74B CP-76 CP44B CP54B CP56B CP68B CP74B CP76B CS-423E CS-433E CS-44 CS-44B CS-531D CS-533D CS-533E CS-54 CS-54B CS-56 CS-563D CS-563E CS-56B CS-573D CS-573E CS-583D CS-583E CS-64 CS-64B CS-663E CS-66B CS-683E CS-68B CS-74 CS-74B CS-76 CS-76B CS-78B CS-79B CS44B CS54B CS68B CS56B CS64B CS74B CS78B CS79B
BACKHOE LOADER	415F2 415F2 IL 416F2 420F2 422F2 426 F2 427F2 428F2 430F2 432F2 434F2 444F2
WHEEL DOZER	814F 814F II 824G 824G II 824H 834G 834H 844 844H 854G 854K
UNDERGROUND ARTICULATED TRUCK	AD40 AD45 AE40
PIPELAYER	583T 587T PL61 PL83 PL87
EXCAVATOR	307 312-A 315-A 317 N 317-A 317-A N 320 L 320-A 320-A L 320-A N 320-A S 320C FM 320D 320D FM 320D FM RR 320D2 FM 320N 322 L 322-A L 322C FM 324D FM 324D FM LL 325-A 325-A FM L 325C FM 325D FM 325D FM LL 330 L 330 LN 330-A 330-A L 330-A LN 330C FM 330D FM 350 L 350-A 350-A L 375-A 375-A L 5080 5130 5130B 5230 5230B 568 FM 568 FM LL M312 M315 M318
INTEGRATED TOOLCARRIER	IT12B IT14B IT14F IT14G IT14G2 IT18 IT18B IT18F IT24F IT28 IT28B IT28F IT28G IT38F IT38G IT38G II IT38H IT62G
WHEEL TRACTOR- SCRAPER	611 613C II 613G 615C II 621E 621F 621G 621H 621K OEM 623E 623G 623F 627E 627F 627G 631E 631G 631K 637E 637G 651E 657E 657G

Name	Models
TRACK-TYPE TRACTOR	10SU 10 10U 11 11SU 11U 58 58L 59 59L 59N 8 8A 8S 8U 9 9C 9S 9SU 9U D10N D10R D10T D11N D11R D11T D3C III D3G D3K LGP D3K XL D3K2 LGP D3K2 XL D4C III D4G D4K2 XL D4K LGP D4K XL D4K2 LGP D5C III D5G D5K LGP D5K XL D5K2 LGP D5K2 XL D5M D5N D6G2 LGP D6G2 XL D6K D6K LGP D6K XL D6K2 LGP D6K2 XL D6M D6N D6R D6R II D6R III D6R STD D6R XL D6T D6T LGP D6T XL D6T XW D7G2 D7R D7R II D7R LGP D7R SERIES D7R XR D8L D8R II D8T D9L D9N D9R D9T
LOAD, HAUL, DUMP	R1700 II R2900