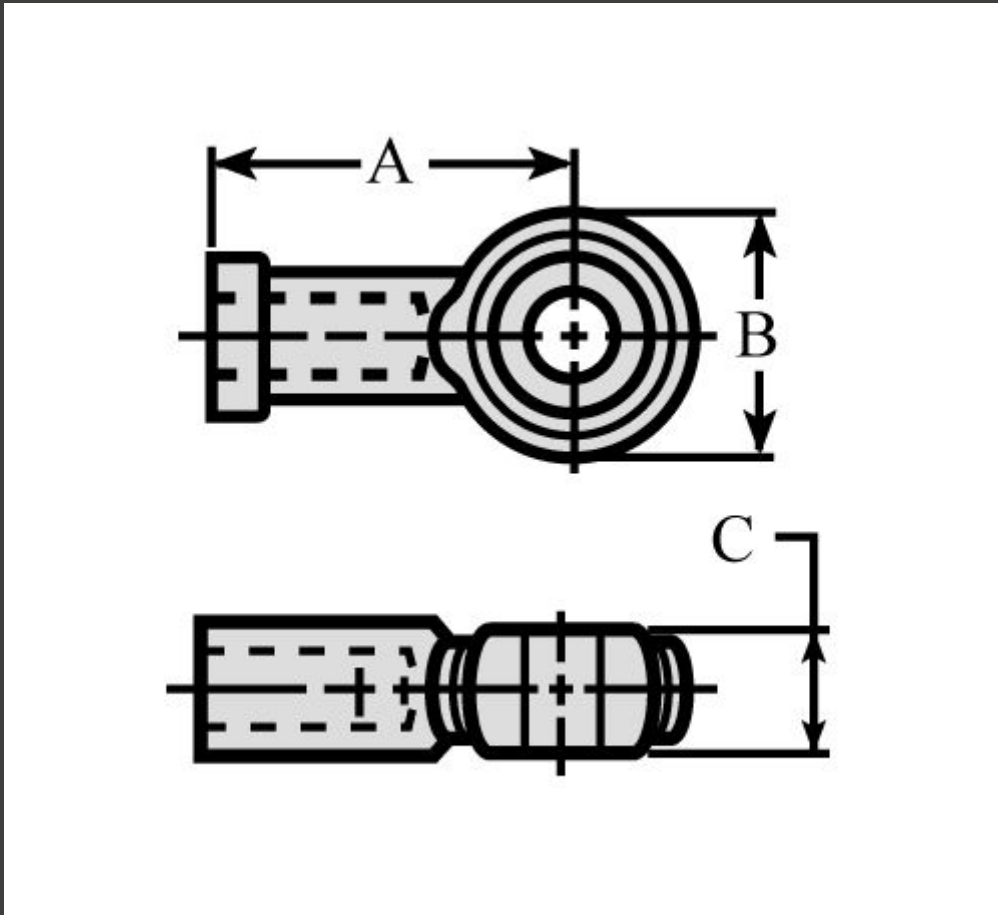


CATERPILLAR END 7L4186 NEW

Product Images



Description

Description:

spherical rod ends are manufactured for long service life, minimal maintenance, and high operational reliability. Spherical rod ends to provide a mechanical articulating joint that accommodates oscillation during slow rotation. These joints also accommodate misalignment between the rod end and the attached shaft. Spherical rod ends consist of an eye-shaped head with an integral shank that forms the housing for a spherical bearing. Bearings reduce friction and provide protection between mating parts. They are specifically designed for low to medium speed, high load applications with little to medium side thrust.

Attributes:

- Large load capacity.

- Easy mounting and dismounting.
- Suitable for heavy static or alternating loads, and shock loads.

Application:

Cat spherical rod ends are typically used in rod and linkage assemblies and control groups where strength and flexibility are crucial.

Additional Information

Brand	CATERPILLAR
Condition	ORIGINAL