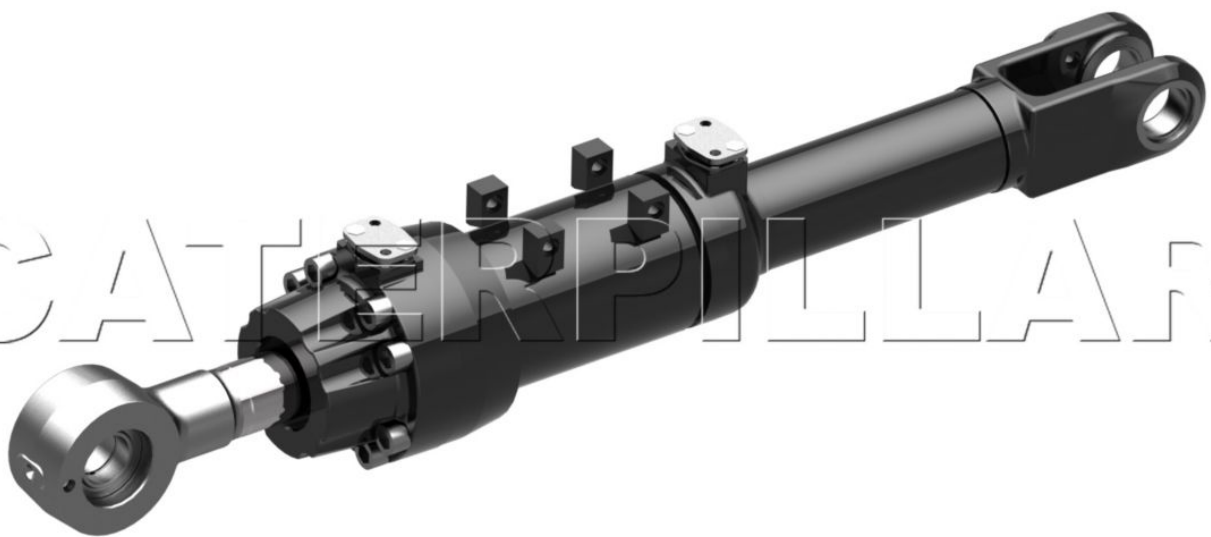


CATERPILLAR CYLINDER G 1184000 NEW

Product Images



Description

Description:

Complete hydraulic cylinder arrangements actuate numerous machine components ranging from steering controls to refined movement of blades, buckets or other attachments.

Attributes:

Complete Cat hydraulic cylinder arrangements consist of tube and rod assemblies that are ready for installation on a machine. Cat cylinders are manufactured with thick tube walls that enable more service lives. This feature, when combined with exclusive Cat Oversize Seals, can extend cylinder life in many applications.

Recommended Application:

Complete Cat hydraulic cylinder arrangements are designed for specific machine applications.

Additional Information

Brand	CATERPILLAR	
Condition	ORIGINAL	
Applications suitable (detailed)	Name	Models
	EXCAVATOR	320B L 325B L 325B LN