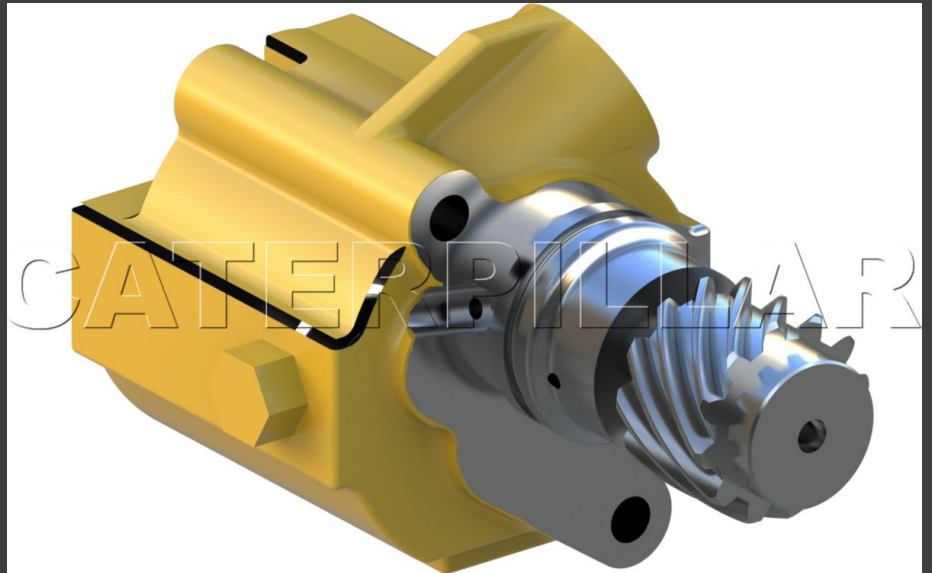


CATERPILLAR PUMP GR FUEL TR 4W5479 NEW

Product Images



Omschrijving

Fuel Transfer Pumps draw fuel from the fuel tank and push it under pressure to the injectors on the engine. Fuel Transfer Pumps are developed specifically for Cat engines, to maintain a constant flow of fuel at the optimum pressure needed at any moment. Each unit undergoes extensive testing to ensure the highest quality and reliability. Regardless of the equipment it's powering or the conditions it has to endure, you'll get outstanding wear life and overall performance that no will-fit product can beat.

- All new gasket seals, springs and wear parts.
- All Cat parts come with a full 12-month warranty and off-the-shelf availability.
- You're buying less downtime and lower repair bills, helping you achieve the lowest owning and operating costs over your engine's lifecycle.
- Cat diesel engine parts provide outstanding performance and reliability – while reducing the impact on the environment.

Additional Information

Merk	CATERPILLAR	
Voorwaarde	ORIGINEEL	
Toepassingen geschikt (gedetailleerd)	Name	Models
	EARTHMOVING COMPACTOR	836
	COLD PLANER	PM-565
	WHEEL-TYPE LOADER	988B 988F
	WHEEL DOZER	834B 834S 834U
	PIPELAYER	589
	TRACK-TYPE TRACTOR	58 10 10SU 10U 58L 59 59L 59N 8 8A 8S 8U 9 9C 9S 9SU 9U D10N D8L D9L D9N D9R